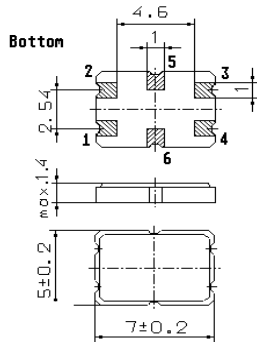


Specification for monolithic crystal filter:

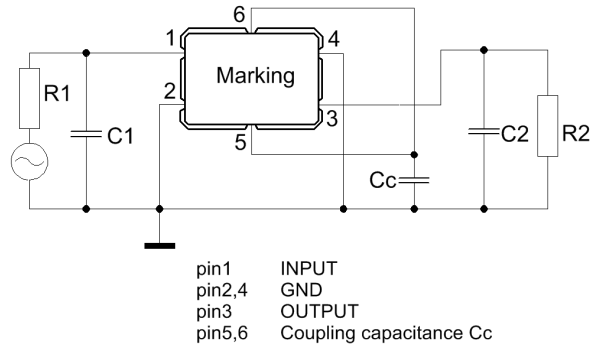
MQF 21.45-3000/13

1. General

1.1. Package:



GS 2



- 1.2. Type name: MQF 21.45-3000/13
- 1.3. Number of poles: 4
- 1.4. Operating temperature range: -20°C to +70°C
- 1.5. Storage temperature range: -55°C to +125°C

2. Electric values

- 2.1. Nominal centre frequency fo: 21.45 MHz
- 2.2. Pass band
 - 2.2.1. Bandwidth between 3 dB - frequencies: > fo ± 15.0 kHz
 - 2.2.2. Ripple: < 1.0 dB at fo ± 10.0 kHz
 - 2.2.3. Insertion loss: < 3.0 dB
(measured on smallest attenuation in pass band)
- 2.3. Stop band
 - 2.3.1. fo ± 50 kHz > 35 dB
 - 2.3.2. Alternate attenuation fo ± 910 kHz > 70 dB (except spurious)
 - 2.3.3. Spurious responses fo +100 +1000 kHz > 30 dB
- 2.4. Terminating impedance R//C (input and output): 3300 Ω // -0.3 pF
- 2.4.1. Coupling capacitance 2.4 pF
- 2.5. Input power level for reference measurement: +0 dBm
- 2.5.1. Maximum input power level: +10 dBm

- 3. Marking on the case: M2145
yyww
- 4. Environment conditions: corresponding to Vectron CF001
- 5. Filters are Pb-free and 2002 /95 / EC RoHS compliant
- 6. Reflow soldering for Pb-free assembly:
 - > 100°C for maximum 600 seconds
 - > 200°C for maximum 180 seconds
 - > 260°C for maximum 30 seconds
(peak temperature)
 - cool - down time: 2 hours
- 7. Packing: Tape and reel, T. B. D. after sampling

Edited by: _____ date: _____ name: _____