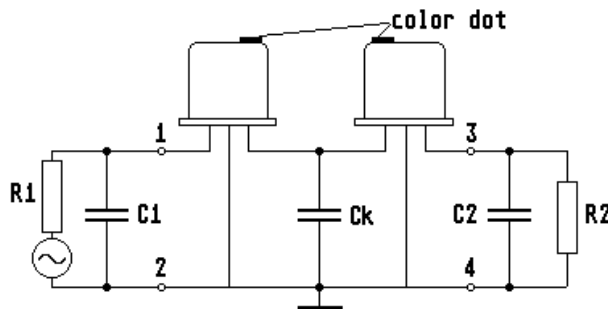
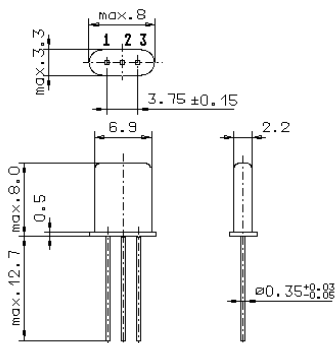


Specification for monolithic crystal filter:

MQF 33.5 5 443 - 0700/02

1. General

1.1. Case:



- 1.2. Type name: MQF 33.55443-0700/01
- 1.3. Number of poles: 4
- 1.4. Operating temperature range: -20°C to +70°C
- 1.5. Storage temperature range: -45°C to +85°C

2. Electric values

- 2.1. Nominal centre frequency fo: 33.55443 MHz
- 2.2. **Pass band**
 - 2.2.1. Bandwidth between 3 dB - frequencies: > fo ± 3.5 kHz
 - 2.2.2. Ripple: < 1.0 dB at fo ± 2.4 kHz
 - 2.2.3. Insertion loss: < 4.5 dB
(measured on smallest attenuation in pass band)
- 2.3. **Stop band**
 - 2.3.1. fo ± 16 kHz: > 35 dB
 - 2.3.2. fo ± 29 kHz: > 60 dB
 - 2.3.3. Alternate Attenuation: > 80 dB (except spurious)
- 2.4.1. Nomial input power level: +0 dBm
- 2.4.2. Maximal input power level: +18 dBm
- 2.5. Terminating impedance R/C (input and output): 900 Ω // 3 pF
- 2.6. coupling capacitance (Cc): 7.8 pF
- 3. Marking on the case: manufacturer, date code
33.55443-
0700/02
- 4. Environment conditions: Corresponding to Telefilter CF001

Edited by: _____ date: _____ name: _____