

Specification for monolithic crystal filter: **QF 5.3125-0600/06**

1. General

1.1. Package:

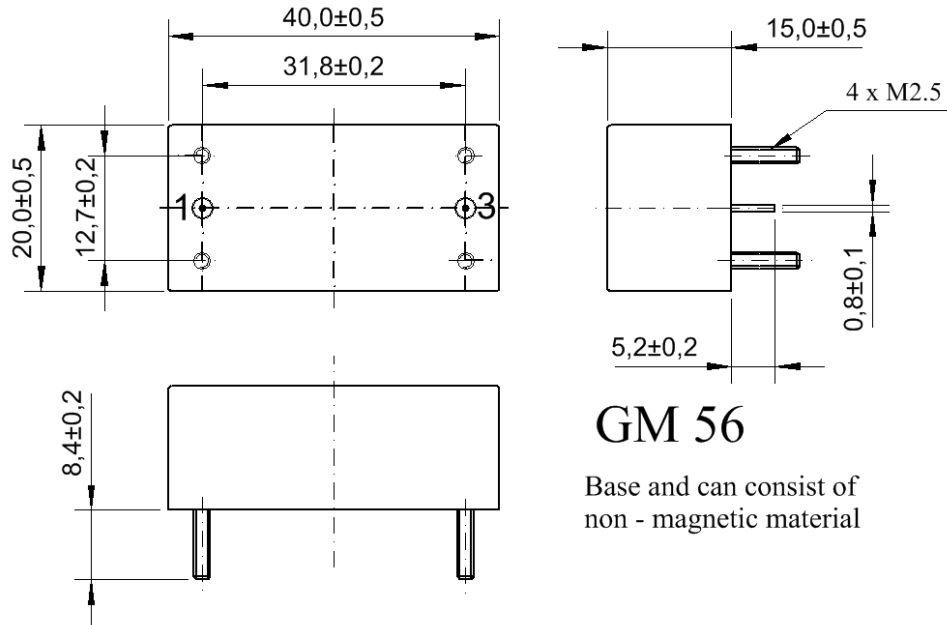
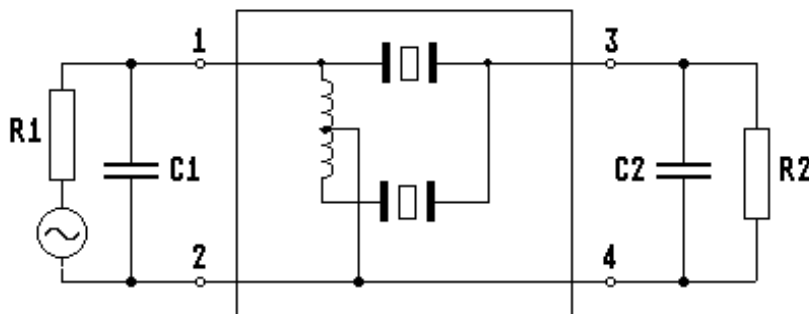


Plate materials: Ni / Au
Ni: 4.0-8.0 μm
Au: 0.05-0.1 μm



- | | |
|-----------------------------------|-------------------|
| 1.2. Type name: | QF 5.3125-0600/06 |
| 1.3. Number of poles: | 4 |
| 1.4. Operating temperature range: | -20°C to +70°C |
| 1.5. Storage temperature range: | -30°C to +85°C |
| 1.6. Weight: | 34g \pm 10% |

2. Electric values

- | | |
|---|----------------|
| 2.1. Nominal centre frequency f_0 : | 5.3125 MHz |
| 2.2. Drift of Centre frequency in operation temperature range : | < \pm 100 Hz |

2.2. Pass band

- 2.2.1. Bandwidth between 3 dB - frequencies: $> f_0 \pm 3.0 \text{ kHz}$
2.2.2. Bandwidth between 1 dB - frequencies: $> f_0 \pm 1.5 \text{ kHz}$
2.2.3. Ripple (peak to peak) $< 1.0 \text{ dB}$ within $f_0 \pm 1.2 \text{ kHz}$
2.2.4. Insertion loss: $< 4.0 \text{ dB}$
(measured on smallest attenuation in pass band)

2.3. Stop band

- 2.3.1. $f_0 \pm 15 \text{ kHz}$ $> 50 \text{ dB}$
2.3.2. Alternate attenuation ($f_0 \pm 1.0 \text{ MHz}$): $> 70 \text{ dB}$
2.3.3. Spurious responses: $> 50 \text{ dB}$

- 2.4. Terminating impedance (input and output): $50 \Omega // 0 \text{ pF}$
2.5. Nominal / maximum input power level: $0 / +20 \text{ dBm}$

3. Marking:

Top view

VI YYWW serial number
IN
QF 5.3125-0600/06

4. Environment conditions according to Vectron MIL standard
5. Mean time between failures (MTBF) corr. to IEC 60050 (191) $> 12 \text{ years}$

Edited by: _____ date: _____ name: _____